

INSTALLATION MANUAL (BATHTUBS)

Thank you for choosing DEKO bathtub.

We hope you are fully satisfied with our product and usage of it!

CAUTION! Before starting the installation please read the installation manual. The installation should be handled by qualified person.

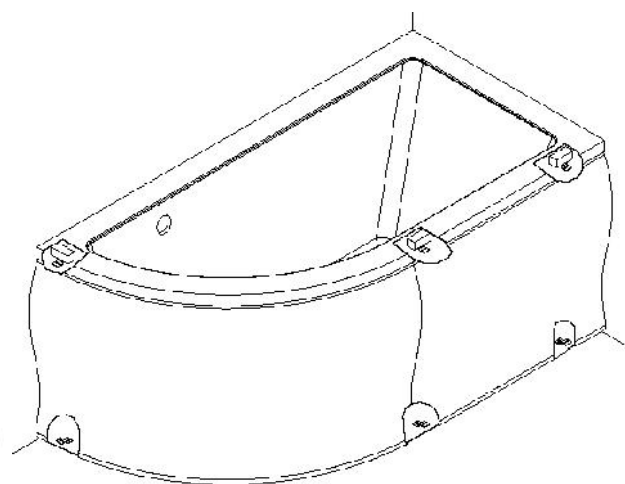
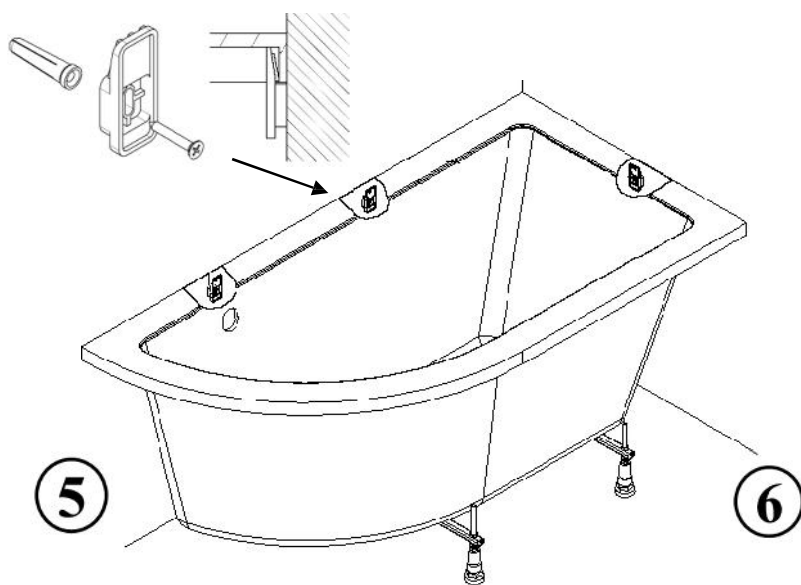
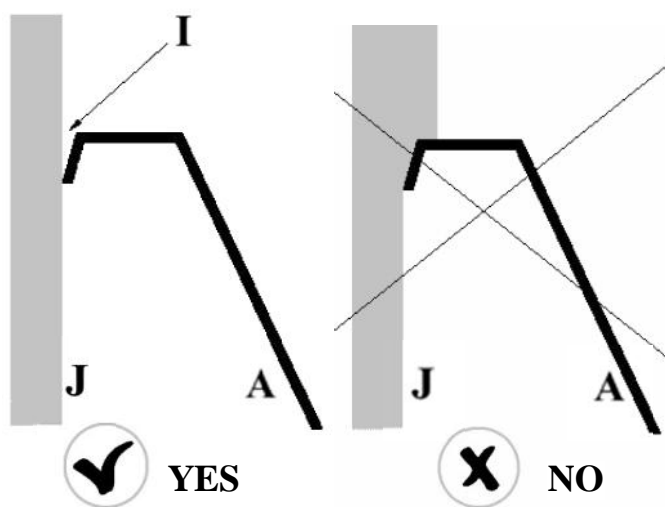
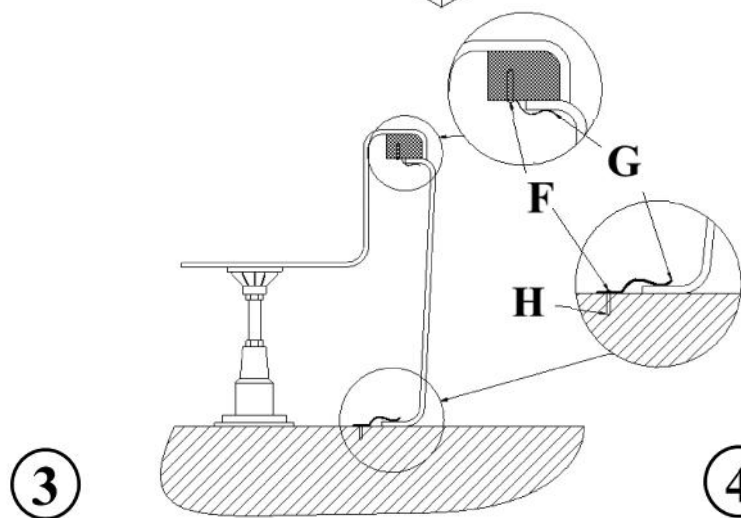
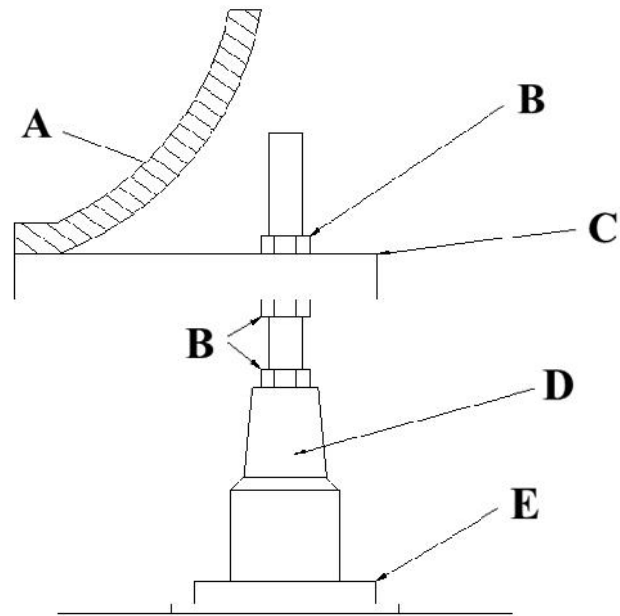
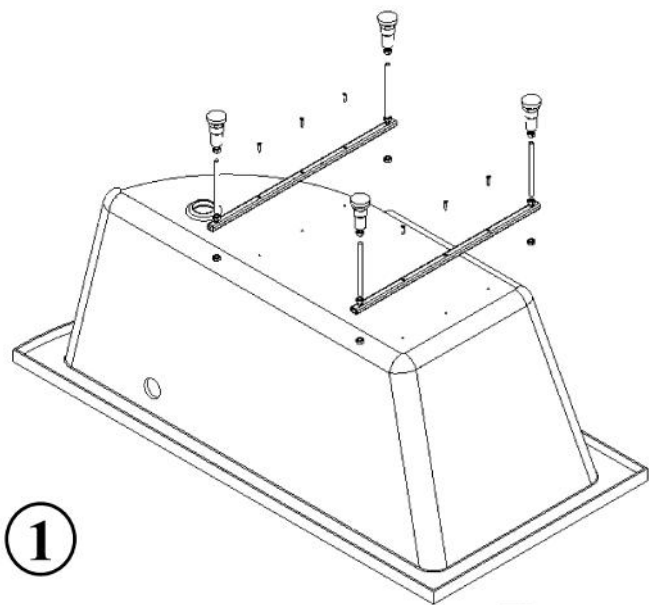
CAUTION!!! Bathtub should be installed in a way ensuring its easy removal without damaging the bathtub itself or damaging any other surrounding fixtures and fittings. Defects that arise as a result of improper bathtub installation cannot be ground for a claim.

Installation: Prior to installation check the product is complete and free from possible defects or damage. Claims regarding visible defects will not be accepted after the bathtub has been installed. Before installation, bathtub should be carefully secured to avoid any damages during installation. Turn the bathtub upside down and secure the c-section frame (using the bolts provided in the kit) to the bottom in the optimal place for stability of the product in subsequent use, see **picture 1**. (Attention! Using wrong bolts can result in irreversible damage to the product). Install the levelling feet as shown in **picture 2**. Attach the bathtub panel assembly plates to the wooden blocks under the edge of the bathtub using the screws supplied with the panelling kit, see **picture 3**. Turn the bathtub over, place it at the desired location and level it through appropriate tightening or loosening of the feet to adjust the height of the bath to the panel level. Mark the bottom edge of the bath on the wall in order to position wall hooks (bars). Fix hooks (bars) to the wall, see **picture 5**. Position the panel into the right place and mark on the floor its shape in order to position the bottom assembly plates for the panel. Fix the plates to the floor, see **picture 3 and picture 6**. (use silicone to fix the plate on the floor or skip the process, if you do not want to screw holes to bathroom floor)

Connect the lower part of siphon to the drains pipe so that it matches with the hole in the bathtub. Place the bathtub in its chosen place by securing it onto the hooks, check for fit, and join the upper part of the siphon to the bath. Remove the protective film from the bath and the panel. Carefully check pipe connections for any leaks! Fix the panel onto the upper and bottom assembly plates. If the panel needs to be trimmed, use a metal cutting blade or a jigsaw with a fine-tooth blade. Seal joining of the bathtub and panel with the wall and floor with antibacterial silicone, see **picture 4**.

Recommendations regarding use: Acrylic bathtubs are easy to keep clean. Bathtubs should be washed with gentle cleansers that do not contain abrasive substances, organic solvents and corrosive substances. For daily care and cleaning of the acrylic surface of the bathtub it is best to use a damp soft cloth or sponge with liquid detergent ("Bathtubs and shower trays – Professional acrylic cleaner" from Besco Professional Line is recommended for use).

www.deko.ee
info@deko.ee



A Bathtub	E Support	I Silicone
B Lock nut	F Bolt	J Wall
C Supporting frame	G Assembly plate	
D Foot	H Dowel	